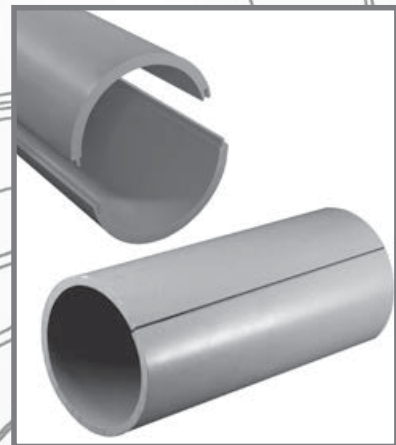
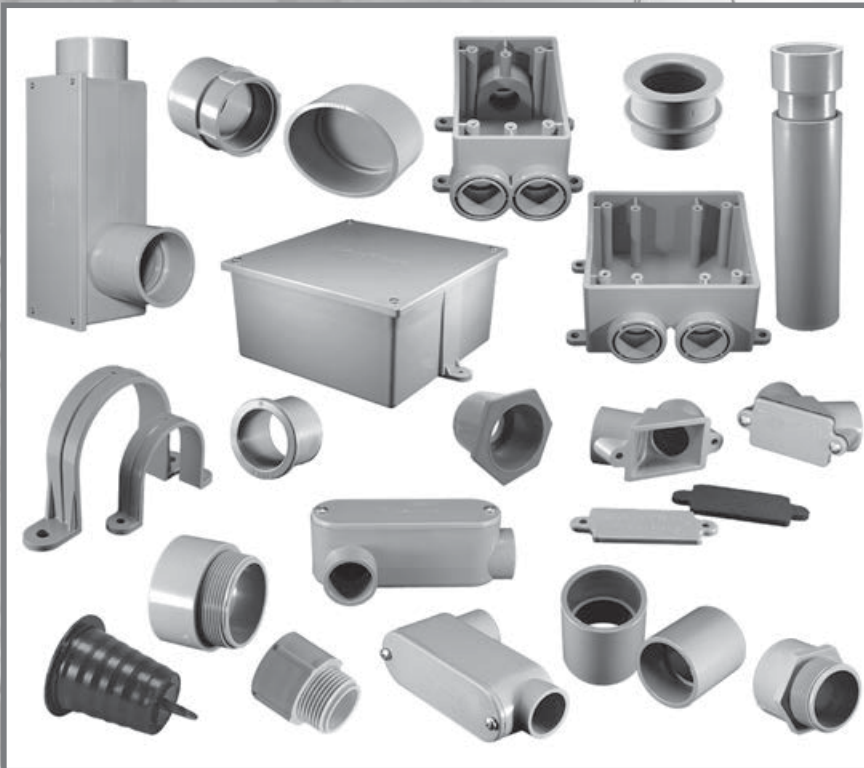
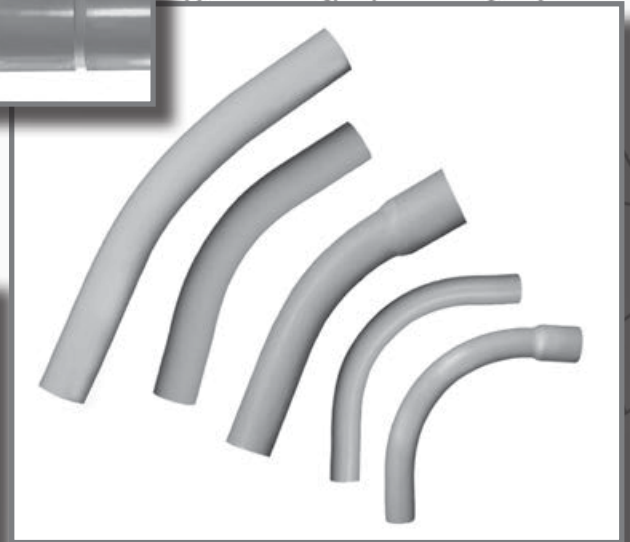
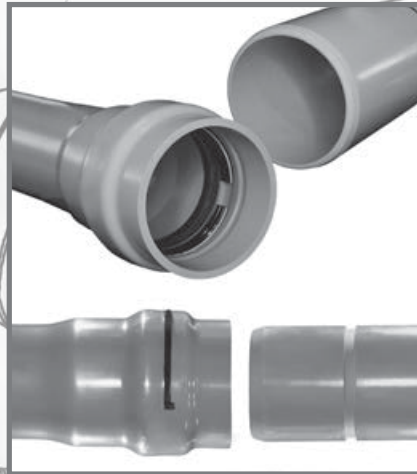
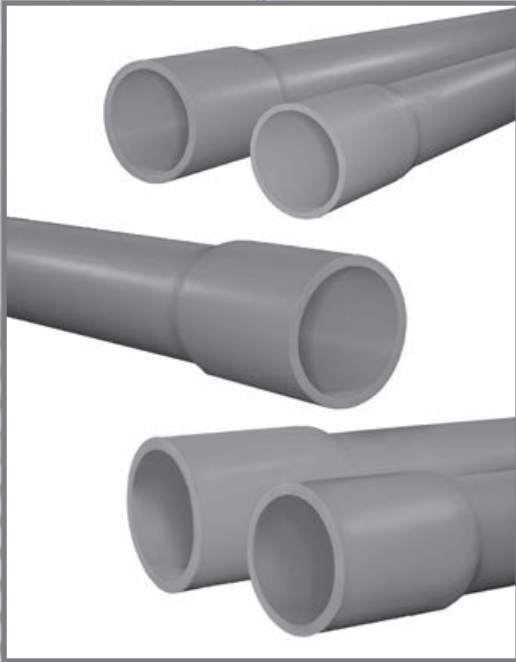


**Schedule 40 & Schedule 80 Conduit,
Elbows, Fittings and Accessories, Conduit Bodies,
Junction Boxes, and Exposed Electrical Boxes**

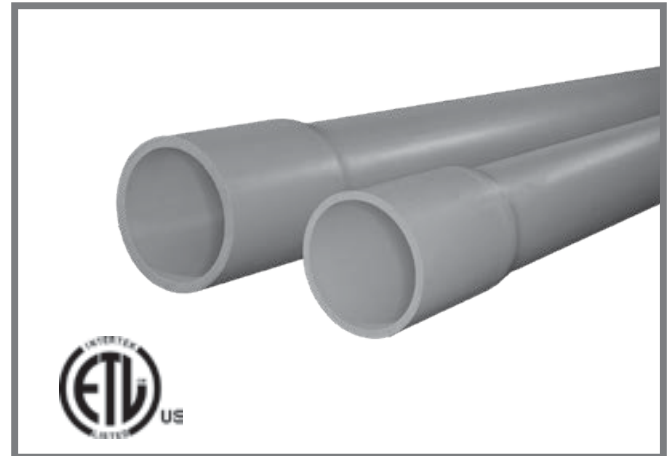


Nonmetallic Schedule 40 Conduit



Backed by over 60 years of manufacturing excellence, CANTEX Schedule 40 PVC Conduit is designed for underground or aboveground applications.

- Nonmetallic PVC material which is corrosion, rust and sunlight resistant
- ETL listed
- Conforms to UL651 and NEMA TC-2
- Rated for use with 90-degree C conductors
- Made in USA
- Sunlight Resistant
- 10' Lengths
- 20' Lengths available (See note below)

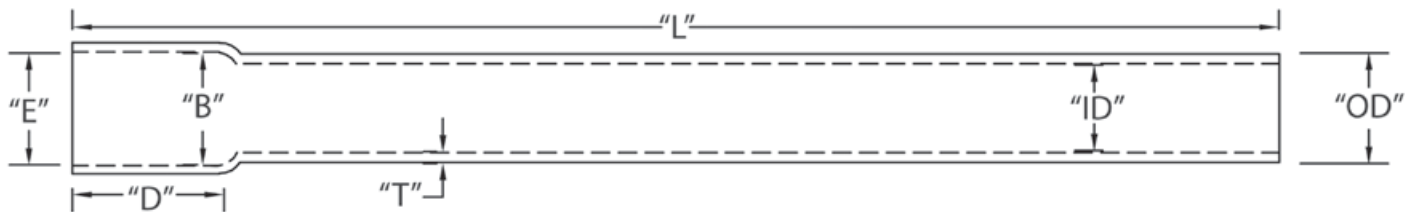


Nonmetallic PVC Schedule 40 Conduit Belled End - 10' Lengths

| Part No. | Size | Feet per Pack | T Min | OD | ID Min | E | B | D Nom | L Min |
|----------|-------|---------------|-------|-------|--------|-------|-------|-------|-------|
| A52AE12 | 1/2 | 6,000 | .109 | .840 | .578 | .852 | .836 | 1.500 | 120 |
| A52AG12 | 3/4 | 4,400 | .113 | 1.050 | .780 | 1.064 | 1.046 | 1.750 | 120 |
| A52BA12 | 1 | 3,600 | .133 | 1.315 | 1.004 | 1.330 | 1.310 | 2.000 | 120 |
| A52BC12 | 1-1/4 | 3,300 | .140 | 1.660 | 1.335 | 1.677 | 1.655 | 2.250 | 120 |
| A52BE12 | 1-1/2 | 2,250 | .145 | 1.900 | 1.564 | 1.918 | 1.894 | 2.500 | 120 |
| A52CA12 | 2 | 1,400 | .154 | 2.375 | 2.021 | 2.393 | 2.369 | 3.000 | 120 |
| A52CE12 | 2-1/2 | 930 | .203 | 2.875 | 2.414 | 2.890 | 2.868 | 3.250 | 120 |
| A52DA12 | 3 | 880 | .216 | 3.500 | 3.008 | 3.515 | 3.492 | 3.750 | 120 |
| A52DE12 | 3-1/2 | 630 | .226 | 4.000 | 3.486 | 4.015 | 3.992 | 4.000 | 120 |
| A52EA12 | 4 | 570 | .237 | 4.500 | 3.961 | 4.515 | 4.491 | 4.500 | 120 |
| A52FA12 | 5 | 380 | .258 | 5.563 | 4.975 | 5.593 | 5.553 | 5.500 | 120 |
| A52GA12 | 6 | 260 | .280 | 6.625 | 5.986 | 6.658 | 6.614 | 6.125 | 120 |
| A52JA12* | 8 | 180 | .322 | 8.625 | 7.853 | 8.670 | 8.610 | 6.375 | 120 |

Dimensions are nominal

* Not ETL Listed



Note: 20' length available on request with the exception of the 1/2 inch conduit sizes. Schedule 40 conduit complies with federal and military specifications by conforming to UL 651.

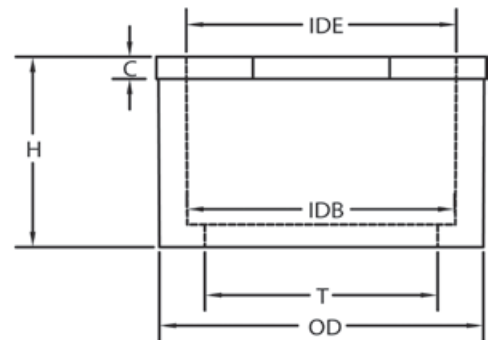
Reducers

| Part Number | Trade Size | Carton Qty. | "H" | "C" | "T" | "OD" | "IDE" | "IDB" |
|-------------|---------------|-------------|-------|------|-------|-------|-------|-------|
| 5142220 | 3/4 x 1/2 | 100 | 1.000 | .120 | .630 | 1.050 | .852 | .836 |
| 5142230 | 1 x 1/2 | 100 | -- | -- | -- | -- | -- | -- |
| 5142221 | 1 x 3/4 | 100 | 1.180 | .120 | .834 | 1.315 | 1.064 | 1.046 |
| 5142222 | 1-1/4 x 1 | 50 | 1.420 | .140 | 1.059 | 1.660 | 1.330 | 1.310 |
| 5142251 | 1-1/2 x 1 | 25 | -- | -- | -- | -- | -- | -- |
| 5142223* | 1-1/2 x 1-1/4 | 50 | 1.370 | .180 | 1.392 | 1.900 | 1.677 | 1.655 |
| 5142224* | 2 x 1-1/2 | 25 | 1.600 | .250 | 1.622 | 2.375 | 1.918 | 1.894 |
| 5142225* | 2-1/2 x 2 | 25 | 1.900 | .250 | 2.076 | 2.875 | 2.391 | 2.370 |
| 5140867 | 3 x 2 | 25 | 2.24 | .250 | 2.085 | 3.500 | 2.393 | 2.362 |
| 5142226* | 3 x 2-1/2 | 25 | 2.250 | .250 | 2.484 | 3.500 | 2.890 | 2.868 |
| 5142227* | 4 x 3 | 20 | 2.600 | .370 | 3.083 | 4.500 | 3.515 | 3.492 |
| 5142229* | 4 x 3-1/2 | 20 | 2.600 | .400 | 3.598 | 4.500 | 4.015 | 3.992 |

Reducer bushings are designed to fit into a bell end of conduit or a female fitting to reduce the diameter to the next smaller size conduit diameter. Male and female elements of the bushing are solvent weld.



- All connections are solvent weld
- Durable non-conductive PVC will not rust or corrode
- For use with Schedule 40 & 80 conduit
- UL listed and CSA Certified
- Made in USA



* CSA Certified

Dimensions are nominal

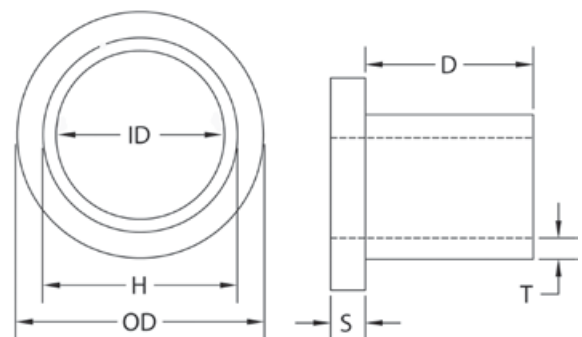
Box Adapters

| Part Number | Trade Size | Carton Qty. | "D" (Min) | "S" (Min) | "OD" | "ID" (Min) | "H" | "T" (Min) |
|-------------|------------|-------------|-----------|-----------|-------|------------|-------|-----------|
| 5133715 | 1/2 | 100 | .700 | .140 | 1.200 | .578 | .840 | .095 |
| 5133716 | 3/4 | 100 | .725 | .140 | 1.400 | .780 | 1.050 | .095 |
| 5133717 | 1 | 100 | .950 | .140 | 1.700 | 1.004 | 1.315 | .100 |
| 5133718 | 1-1/4 | 50 | .990 | .250 | 2.000 | 1.335 | 1.660 | .120 |
| 5133719 | 1-1/2 | 50 | 1.100 | .200 | 2.000 | 1.564 | 1.900 | .120 |
| 5133720 | 2 | 25 | 1.175 | .200 | 2.750 | 2.021 | 2.375 | .130 |
| 5133721* | 2-1/2 | 10 | 1.650 | .300 | 3.350 | 2.424 | 2.875 | .165 |
| 5133722 | 3 | 10 | 1.800 | .325 | 4.200 | 3.008 | 3.500 | .216 |
| 5133723* | 3-1/2 | 10 | 1.870 | .325 | 4.500 | 3.486 | 4.000 | .226 |
| 5133724* | 4 | 10 | 2.020 | .250 | 4.910 | 3.961 | 4.500 | .237 |

Box Adapters are designed to connect nonmetallic conduit to all electrical enclosures. They are used with the hub inside a box or enclosure.



- Installs by inserting the adapter through the knockout in the enclosure and then solvent welding into a coupling or adapter
- Durable non-conductive PVC will not rust or corrode
- For use with Schedule 40 & 80 conduit
- UL listed
- Made in USA



* CSA Certified

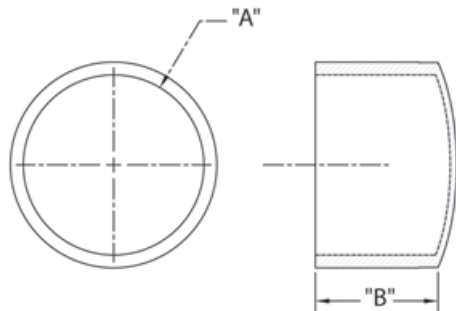
Dimensions are nominal

Meets NEMA TC3 Requirements
Made of Rigid PVC

End Cap

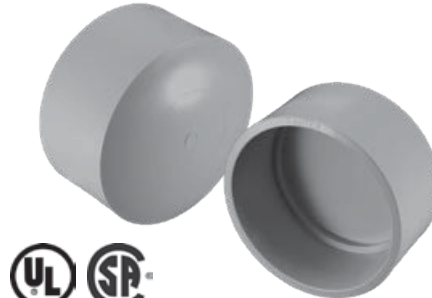
End Caps are designed to cap off PVC conduit either temporarily or permanently using PVC solvent cement.

- Suitable for indoor or outdoor use
- Durable non-conductive PVC will not rust or corrode
- For use with Schedule 40 & 80 and EB & DB applications
- UL and CSA listed
- Made in USA



Meets NEMA TC3 Requirements
Made of Rigid PVC

1/2" through 4" have dome top



5" and 6" have flat top



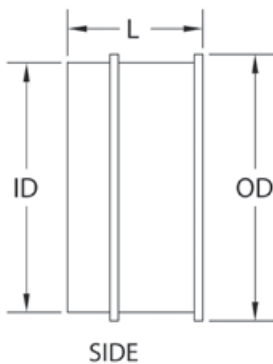
| Part Number | Trade Size | Carton Qty. | "A" | "B" |
|-------------|------------|-------------|-------|-------|
| 5140031 | 1/2 | 100 | .875 | .875 |
| 5140032 | 3/4 | 100 | 1.063 | 1.063 |
| 5140033 | 1 | 50 | 1.375 | 1.250 |
| 5140034 | 1-1/4 | 25 | 1.688 | 1.313 |
| 5140035 | 1-1/2 | 25 | 1.938 | 1.563 |
| 5140037 | 2 | 50 | 2.375 | 1.625 |
| 5140038 | 2-1/2 | 25 | 2.875 | 2.000 |
| 5140039 | 3 | 25 | 3.563 | 2.375 |
| 5140036 | 3-1/2 | 25 | 4.000 | 2.313 |
| 5140040 | 4 | 25 | 4.500 | 2.375 |
| 5140041 | 5 | 25 | 5.563 | 2.500 |
| 5140042 | 6 | 10 | 6.625 | 3.000 |

Dimensions are nominal

End Bell

End Bells are used in concrete vault walls to provide a smooth, safe entrance to the conduit outside. Protects wiring which is being pulled through the vault wall.

- For use with Schedule 40 and Schedule 80 conduit
- Protects wiring which is being pulled through concrete vault walls
- Easy installation
- Meets NEMA TC-9 Standards
- UL and CSA listed
- Made in USA



| Part Number | Trade Size | Carton Qty. | "L" | "ID" | "OD" |
|-------------|------------|-------------|-------|-------|-------|
| 5144003 | 1/2 | 100 | 1.000 | .625 | 1.250 |
| 5144004 | 3/4 | 100 | 1.000 | .875 | 1.500 |
| 5144005 | 1 | 50 | 1.250 | 1.063 | 1.750 |
| 5144006 | 1-1/4 | 50 | 1.313 | 1.375 | 2.125 |
| 5144007 | 1-1/2 | 50 | 1.563 | 1.625 | 2.500 |
| 5144008 | 2 | 40 | 1.563 | 2.063 | 2.813 |
| 5144009 | 2-1/2 | 30 | 1.875 | 2.500 | 3.375 |
| 5144010 | 3 | 50 | 2.063 | 3.000 | 4.125 |
| 5144011 | 3-1/2 | 50 | 2.250 | 3.500 | 4.625 |
| 5144012 | 4 | 50 | 2.375 | 4.000 | 5.125 |
| 5144013 | 5 | 25 | 2.438 | 5.063 | 6.375 |
| 5144014 | 6 | 15 | 2.875 | 6.063 | 7.375 |

Dimensions are nominal

* 8 inch trade size is not UL or CSA Listed



SCHEDULE 40 & SCHEDULE 80 PVC FITTINGS & ACCESSORIES

CANTEX offers an all-inclusive line of Schedule 40 & Schedule 80 PVC electrical fittings and accessories. With several decades of experience manufacturing PVC fittings and accessories, you can trust CANTEX to provide quality products.

All of our PVC fittings are easy-to-install and offer non-conductivity, high impact, tensile strength, industry certifications, and resistance to a wide range of chemicals, acids, and salt. Our schedule 40 & 80 fittings and accessories connect seamlessly with other standard schedule 40 & 80 products making it easy to convert entire electrical infrastructures to PVC.

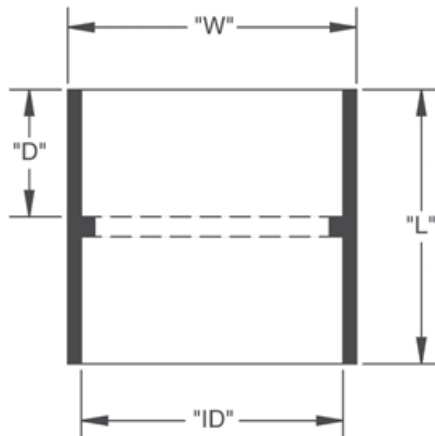
Standard UL Schedule 40 Center Stop Coupling



Schedule 40 Standard Center Stop Couplings are used to join lengths of conduit pipe together with two solvent weld socket ends.



- For use with Schedule 40 and Schedule 80 conduit
- Center stop to help determine proper depth of connection
- For use aboveground and underground and non-conductive and sunlight resistant
- Meets NEMA TC-3 Standards
- UL and CSA listed
- Made in USA



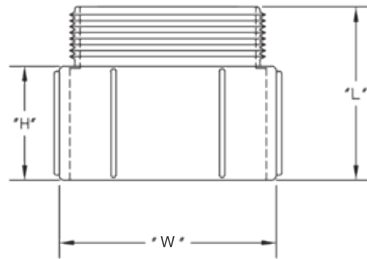
| Part Number | Trade Size | Carton Qty. | "W" | "L" | "ID" | "D" |
|-------------|------------|-------------|--------|--------|-------|-------|
| 6141623 | 1/2 | 200 | 1.063 | 1.500 | .875 | .625 |
| 6141624 | 3/4 | 125 | 1.313 | 1.563 | 1.063 | .625 |
| 6141625 | 1 | 70 | 1.625 | 2.000 | 1.313 | 1.000 |
| 6141626 | 1-1/4 | 40 | 2.000 | 2.125 | 1.688 | 1.000 |
| 6141627 | 1-1/2 | 30 | 2.250 | 2.375 | 1.938 | 1.063 |
| 6141628 | 2 | 40 | 2.688 | 2.600 | 2.375 | 1.192 |
| 6141629 | 2-1/2 | 20 | 3.250 | 3.500 | 2.875 | 1.750 |
| 6141630 | 3 | 40 | 4.000 | 3.875 | 3.500 | 1.188 |
| 6141631 | 3-1/2 | 30 | 4.1250 | 4.000 | 4.000 | 1.938 |
| 6141632 | 4 | 20 | 5.000 | 4.188 | 4.500 | 2.000 |
| 6141633 | 5 | 10 | 6.125 | 5.375 | 5.625 | 2.500 |
| 6141634 | 6 | 8 | 7.250 | 6.375 | 6.625 | 3.000 |
| * 6141635D | 8 | 1 | 9.313 | 13.000 | 8.625 | 5.000 |

* Not UL Listed

Dimensions are nominal

Male Terminal Adapter

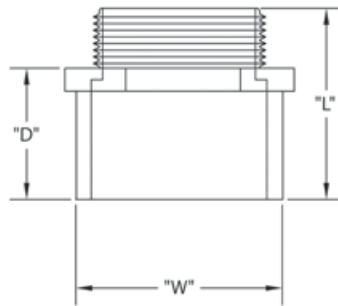
1/2" through 3/4" Terminal (Male) Adapter



Male Terminal Adapters are connectors used to transition from a spigot end PVC conduit to a threaded metal or PVC plastic female bell end. Male Terminal Adapters can also be used to connect PVC conduit to a box or other threaded body with use of a lock nut. The fittings consist of one solvent weld female end and one threaded male end. Both ends will fit the same diameter conduit.

- Durable non-conductive PVC will not rust or corrode
- For use with Schedule 40 & 80 and EB & DB applications
- Meets NEMA TC-3 Standards
- UL and CSA listed
- Made in USA

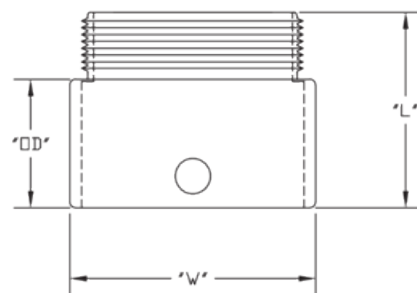
1" through 1 1/2" Terminal (Male) Adapter



| Part Number | Trade Size | Carton Qty. | "W" | "L" | "D" |
|-------------|------------|-------------|-------|-------|-------|
| 5140103 | 1/2 | 200 | 1.063 | 1.688 | 1.125 |
| 5140104 | 3/4 | 125 | 1.250 | 1.750 | 1.188 |
| 5140105 | 1 | 70 | 1.625 | 2.188 | 1.500 |
| 5140106 | 1-1/4 | 40 | 2.000 | 2.125 | 1.313 |
| 5140107 | 1-1/2 | 30 | 2.000 | 2.063 | 1.313 |

Dimensions are nominal

2" through 6" Terminal (Male) Adapter



| Part Number | Trade Size | Carton Qty. | "W" | "L" | "D" |
|-------------|------------|-------------|-------|-------|-------|
| 5140108 | 2 | 40 | 2.688 | 2.188 | 1.375 |
| 5140109 | 2-1/2 | 20 | 3.313 | 2.875 | 2.000 |
| 5140110 | 3 | 40 | 3.938 | 3.000 | 2.188 |
| 5140111 | 3-1/2 | 30 | 4.500 | 3.188 | 2.563 |
| 5140112 | 4 | 20 | 5.000 | 3.438 | 2.563 |
| 5140113 | 5 | 10 | 6.250 | 4.750 | 3.000 |
| 5140114 | 6 | 8 | 7.313 | 4.938 | 2.688 |
| 5140115D* | 8 | 2 | -- | -- | -- |

*Not UL or CSA listed

Dimensions are nominal